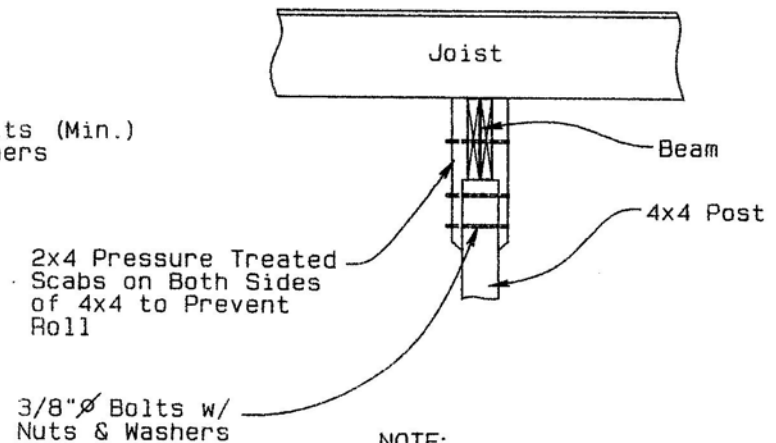
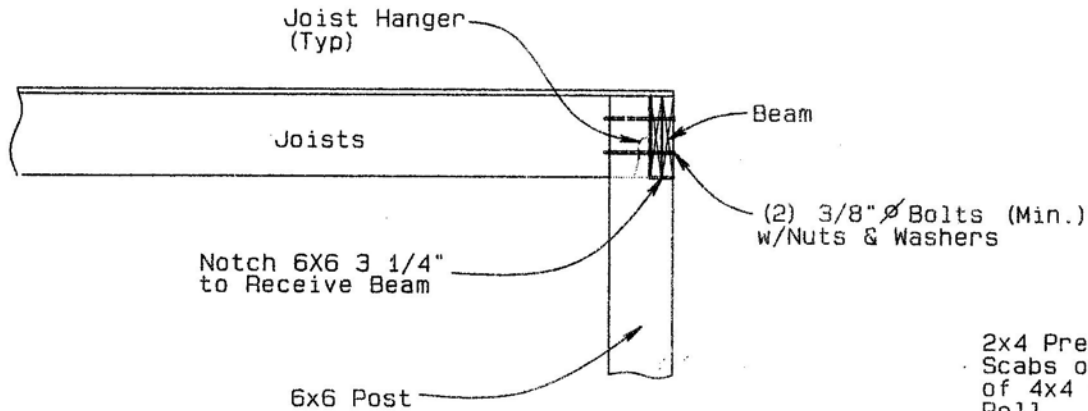


'DROPPED' BEAM DETAILS



FLUSH BEAM DETAILS

NOTE:
Built-up Beam Members Shall Be Glued and Fastened Using 3/8" Ø Bolts w/Nuts & Washers (Min.) @ 2 Ft. OC, 12" From Beam Connection

TYPICAL DECK POST - BEAM CONNECTION DETAILS

EXHIBIT D-3

CONCORD TOWNSHIP - CODES DEPARTMENT
689 SMITHBRIDGE ROAD
GLEN MILLS, PA 19342

Tel. (610) 459-8911 Fax (610) 459-8917

DATE: SEPT. 2002
SCALE: NONE
REV.



CHESTER COUNTY INNOVATION, INC.
Consulting Engineers
Wastewater Management
282 Wilmington West Chester Pike
Chadds Ford, PA 19317
Tel. (610) 361-4559 Fax (610) 361-2752